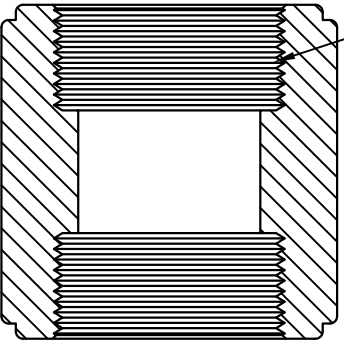
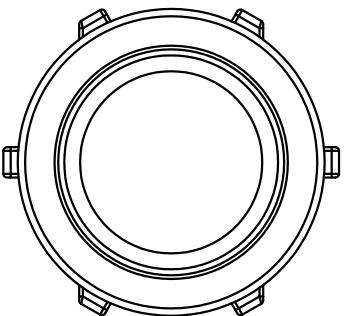
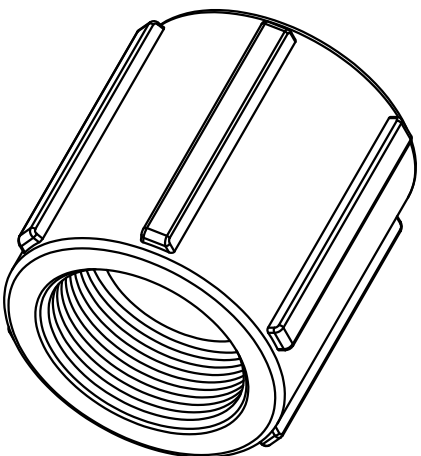
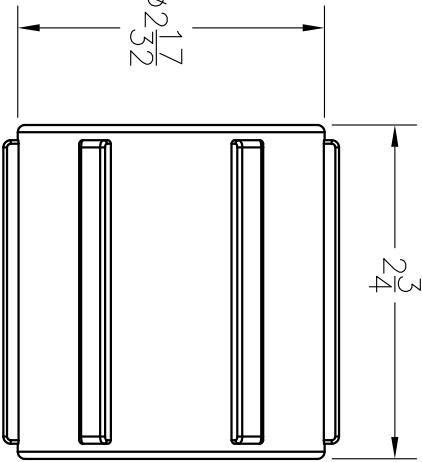


1 1/2" ANS BLUNT START  
TAPERED PIPE THD



$\phi 2 \frac{17}{32}$

$2 \frac{3}{4}$



THIS DRAWING AND ALL INFORMATION CONTAINED HEREIN ARE THE PROPERTY OF BANJO CORPORATION. DRAWINGS AND FITS SHOWN ON THIS DRAWING ARE SUBJECT TO CHANGE AT ANY TIME.



LIQUID HANDLING PRODUCTS

BANJO CORPORATION

150 BANJO DR. • CRAWFORDVILLE, IN 47933

PART NO.

CPLG150

TITLE

1 1/2" PIPE COUPLING